

Protective Face Transducers

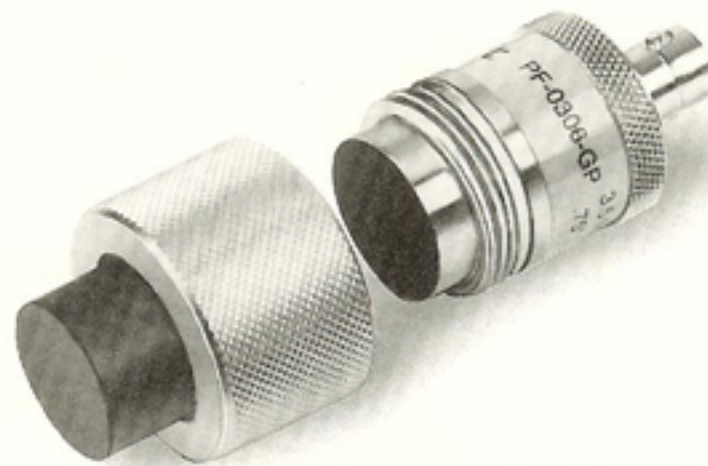
Technisonic's **Protective Face Transducers (PF)** are designed to be used with three different types of protective face options complimenting a wide variety of testing applications. Each transducer comes with a Protective Membrane Kit and addition-

al accessories can be ordered separately. The basic transducer supplied is a general purpose series and has a top mounted BNC connector. Color coded labels make these transducers easy to identify.

Protective Membranes (PM) are commonly used to maintain better surface contact between the transducer and curved, rough, or irregularly shaped surfaces. Spare membranes can be ordered by the dozen.

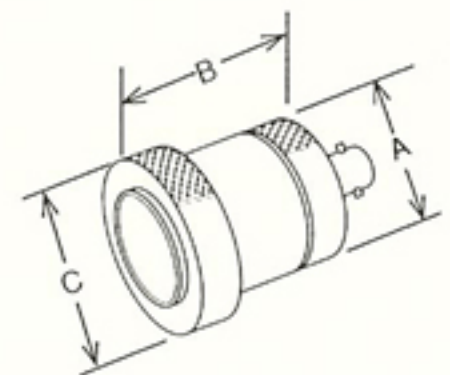
Protective High Temperature Delay Lines (PD) are used for testing hot surfaces up to 550°F. Technisonic's newest high temperature material, "Technitherm", reduces signal drift caused by temperature variations and improves sensitivity. One Delay Ring per transducer is also required to use this option. Standard delays are one inch long, but longer lengths and delays suitable for higher temperatures are available.

Protective Wear Caps (PC) are expendable wear caps which protect the transducer from damage when inspecting extremely rough or abrasive surfaces.



Frequency (MHz)	Element Diameter			
	.500"	.750"	1.00"	1.125"
General Purpose Series (GP)				
0.5	—	PF-0006-GP	PF-0008-GP	PF-0009-GP
1.0	PF-0104-GP	PF-0106-GP	PF-0108-GP	PF-0109-GP
2.25	PF-0204-GP	PF-0206-GP	PF-0208-GP	PF-0209-GP
3.5	PF-0304-GP	PF-0306-GP	PF-0308-GP	—
5.0	PF-0504-GP	PF-0506-GP	PF-0508-GP	—

Option	Element Diameter			
	.500"	.750"	1.00"	1.125"
Membranes (Doz)	PM-12-04	PM-12-06	PM-12-08	PM-12-09
Wearcaps	PC-04	PC-06	PC-08	PC-09
Wearcaps (Doz)	PC-12-04	PC-12-06	PC-12-08	PC-12-09
High Temp Delays	PD-04	PD-06	PD-08	PD-09
Delay Rings	PDR-04	PDR-06	PDR-08	PDR-09



DIMENSIONS			
Element	A	B	C
.50"	.75"	1.25"	.91"
.75"	1.00"	1.25"	1.25"
1.00"	1.38"	1.35"	1.50"
1.125"	1.38"	1.35"	1.5"