



Contact Transducers

Technisonic offers a complete line of **Standard and Fingertip Contact Transducers**. These transducers are compatible with all commercially available flaw detectors and some thickness gauges. Surface knurling ensures a very comfortable non-slip grip and color coded caps make them readily identifiable.

The **General Purpose (GP) Series**, offers the best combina-

tion of sensitivity and resolution for the majority of contact flaw detection applications.

The **High Resolution (HR) Series**, is designed for optimum resolution and maximum bandwidth. They can be used on all flaw detectors and certain thickness gauges.

Technisonic **Standard Contact Transducers (C)** are used when accessibility to the test area presents no problem. Each features a stainless steel housing with an acoustically matched alumina wearface surrounded by a hardened steel wear ring. This insures optimum sound transmission, rugged dependability and excellent resistance to abrasive surfaces.

Standard Contacts (C)

Frequency (MHz)	Element Diameter			
	.500"	.750"	1.00"	1.125"

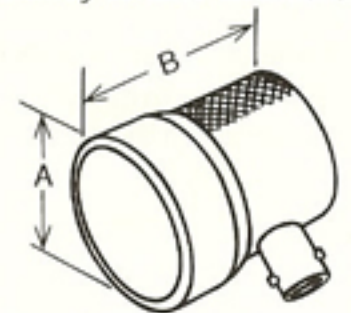
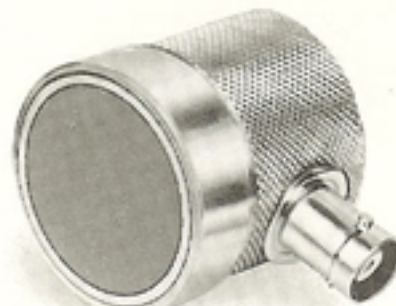
General Purpose Series (GP)

0.5	—	C-0006-GP	C-0008-GP	C-0009-GP
1.0	C-0104-GP	C-0106-GP	C-0108-GP	C-0109-GP
2.25	C-0204-GP	C-0206-GP	C-0208-GP	C-0209-GP
3.5	C-0304-GP	C-0306-GP	C-0308-GP	—
5.0	C-0504-GP	C-0506-GP	C-0508-GP	—

High Resolution Series (HR)

2.25	C-0204-HR	C-0206-HR	C-0208-HR	—
3.5	C-0304-HR	C-0306-HR	C-0308-HR	—
5.0	C-0504-HR	C-0506-HR	C-0508-HR	—

- Unless otherwise specified a BNC connector mounted at right angles will be supplied.
- Axial mounted connectors are also available.
- Metallic wearface is available for extremely abrasive conditions.



DIMENSIONS

Element	A	B
.500"	.81"	1.25"
.750"	1.06"	1.25"
1.00"	1.31"	1.25"
1.125"	1.44"	1.25"

Technisonic **Fingertip Contact Transducers (CF)** are best suited for limited access areas or when higher frequencies and smaller diameters are desired. These transducers feature rugged construction in a stainless steel housing for excellent resistance to abrasive surfaces. They also have an acoustically matched alumina wearface for optimum performance and excellent durability. A side mounted microdot connector is supplied.

Fingertip Contacts (CF)

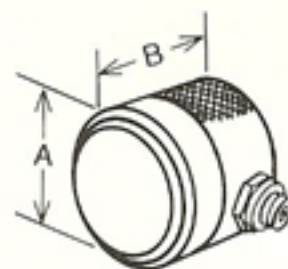
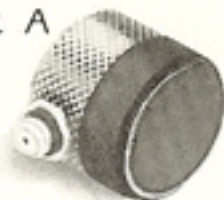
Frequency (MHz)	Element Diameter				
	.125"	.250"	.375"	.500"	.750"

General Purpose Series (GP)

1.0	—	—	—	CF-0104-GP	CF-0106-GP
2.25	—	CF-0202-GP	CF-0203-GP	CF-0204-GP	CF-0206-GP
3.5	—	CF-0302-GP	CF-0303-GP	CF-0304-GP	CF-0306-GP
5.0	—	CF-0502-GP	CF-0503-GP	CF-0504-GP	CF-0506-GP
10.0	—	CF-1002-GP	CF-1003-GP	CF-1004-GP	—

High Resolution Series (HR)

2.25	—	CF-0202-HR	CF-0203-HR	CF-0204-HR	CF-0206-HR
3.5	—	CF-0302-HR	CF-0303-HR	CF-0304-HR	CF-0306-HR
5.0	CF-0501-HR	CF-0502-HR	CF-0503-HR	CF-0504-HR	CF-0506-HR
10.0	CF-1001-HR	CF-1002-HR	CF-1003-HR	CF-1004-HR	—



DIMENSIONS

Element	A	B
.125"	.26"	.40"
.250"	.46"	.60"
.375"	.59"	.60"
.500"	.72"	.60"
.750"	1.00"	.63"