

Dual Element Transducers

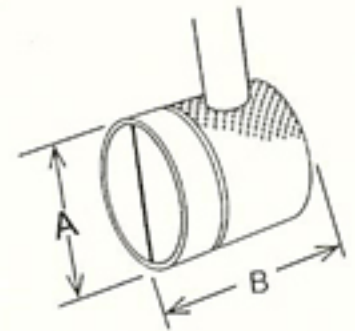
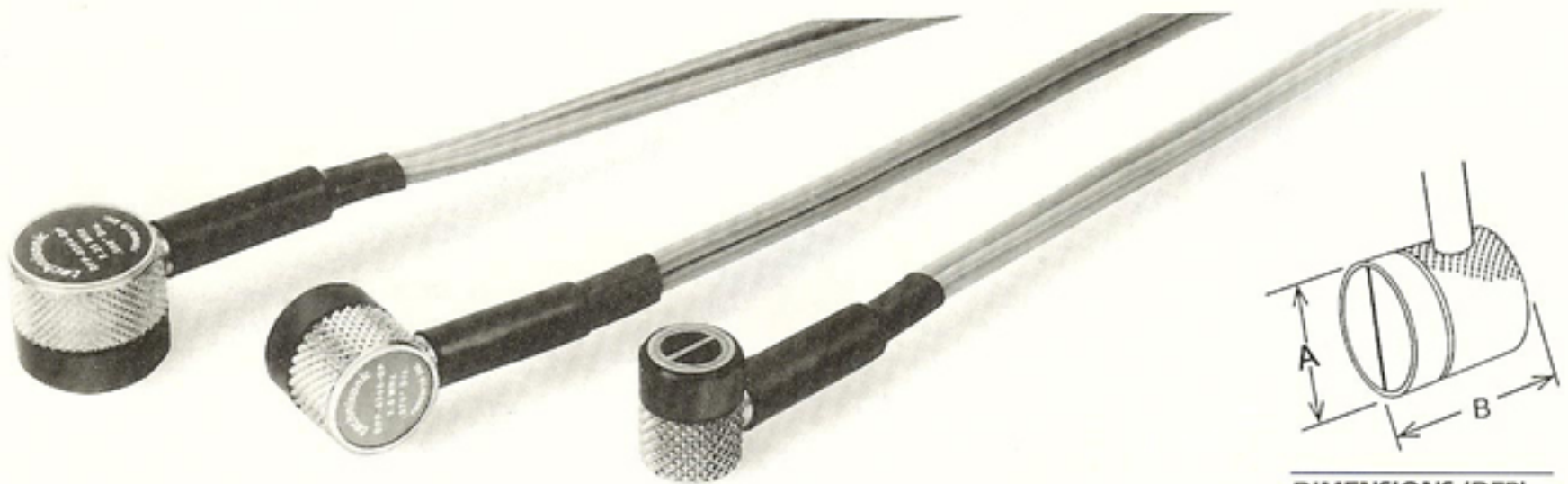
Technisonic's **Dual Element Fingertip Transducers** are designed for the detection of near surface discontinuities and thin wall sections. Each transducer is actually two transducers constructed within a single housing, each side electrically and acoustically isolated from each other. Their small size makes them ideally suited for limited access areas or small

diameter pipe inspection. They are designed to provide optimum performance on all commercially available flaw detectors and certain thickness gauges. Constructed within stainless steel housings with surface knurling, these transducers are very durable and provide a comfortable non-slip grip. Color coded caps make these transducers readily identifiable.

Dual Fingertip Potted Transducers (DFP) are provided with an integral six foot long cable terminated with BNC connectors. This model is our most popular due to its size flexibility and lower cost. Special configurations or curved delays for pipe inspection are also available.

Dual Fingertip Potted (DFP)

Frequency (MHz)	Element Diameter		
	.250"	.375"	.500"
1.0	—	—	DFP-0104-GP
2.25	DFP-0202-GP	DFP-0203-GP	DFP-0204-GP
3.5	DFP-0302-GP	DFP-0303-GP	DFP-0304-GP
5.0	DFP-0502-GP	DFP-0503-GP	DFP-0504-GP
10.0	DFP-1002-GP	DFP-1003-GP	DFP-1004-GP



DIMENSIONS (DFP)

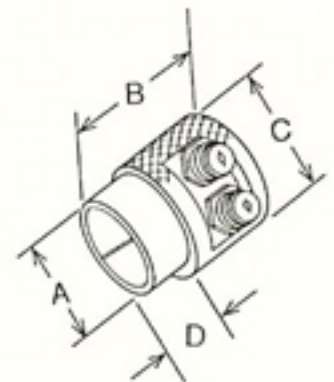
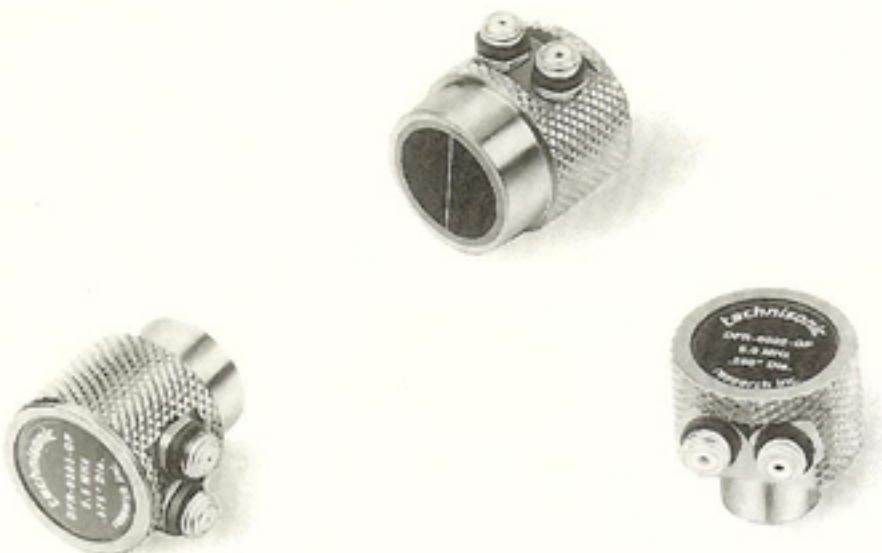
Element	A	B
.250"	.46"	.60"
.375"	.59"	.60"
.500"	.72"	.60"

DFP series is available with composite element on request.

Dual Fingertip Removable Transducers (DFR) are supplied with standard microdot connectors to allow for simple field replacement of a damaged cable. The most common cable for this transducer line is our dual microdot to BNC (DMB-6) which is six (6) feet long and must be ordered separately. Special configurations or curved delays are available.

Dual Fingertip Removable (DFR)

Frequency (MHz)	Element Diameter		
	.250"	.375"	.500"
1.0	—	—	DFR-0104-GP
2.25	DFR-0202-GP	DFR-0203-GP	DFR-0204-GP
3.5	DFR-0302-GP	DFR-0303-GP	DFR-0304-GP
5.0	DFR-0502-GP	DFR-0503-GP	DFR-0504-GP
10.0	DFR-1002-GP	DFR-1003-GP	DFR-1004-GP



DIMENSIONS (DFR)

Element	A	B	C	D
.250"	.38"	.73"	.69"	.25"
.375"	.52"	.75"	.69"	.25"
.500"	.66"	.75"	.75"	.25"

DFR series is available with composite element on request.