



Fingertip Angle Beam Transducers and Wedges

Technisonic offers **Fingertip Removable Angle Beam Quick Change Transducers (ABFQ)** in two series: General Purpose (GP) and Composite (CMP). Their chief application is the inspection of welds for flaws with suitable orientation. They are useable on all commercially available flaw detectors. Their small size is ideal for inspection in limited access areas, on curved surfaces or for reducing the approach distance to the test area. The GP series is recommended for the majority of testing. For hard-to-penetrate materials such as austenitics, composites, plastics, etc., the CMP series provides greater sensitivity, increased signal-to-noise ratio, deeper penetration and better resolution when used with Technisonic wedges (WFO). The threaded transducer body screws directly into the wedge, making wedge changes fast and easy. This design insures positive coupling between the transducer and wedge. Color coded labels identify the frequency of the transducer. A microdot connector is supplied.

Technisonic's **Quick Change Wedges (WFO)** are designed to get maximum sound energy into the test material while dissipating internal reflections into a highly attenuative material that is built into every Quick Change Wedge.

Frequency (MHz)	.250"	.375"	.500"
-----------------	-------	-------	-------

General Purpose Series (GP)

1.0	—————	—————	ABFQ-0104-GP
2.25	ABFQ-0202-GP	ABFQ-0203-GP	ABFQ-0204-GP
3.5	ABFQ-0302-GP	ABFQ-0303-GP	ABFQ-0304-GP
5.0	ABFQ-0502-GP	ABFQ-0503-GP	ABFQ-0504-GP
10.0	ABFQ-1002-GP	ABFQ-1003-GP	ABFQ-1004-GP

Composite Series (CMP)

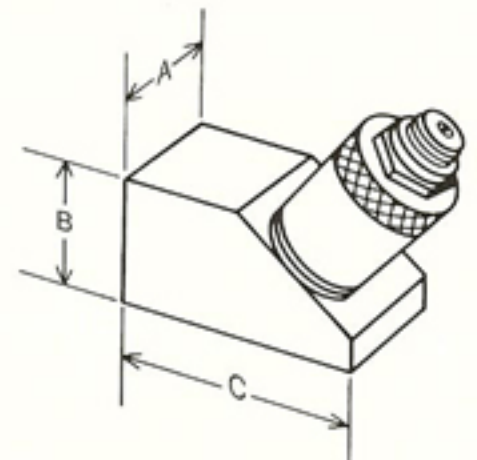
1.0	—————	—————	ABFQ-0104-CMP
1.5	—————	ABFQ-1.503-CMP	ABFQ-1.504-CMP
2.25	ABFQ-0202-CMP	ABFQ-0203-CMP	ABFQ-0204-CMP
3.5	ABFQ-0302-CMP	ABFQ-0303-CMP	ABFQ-0304-CMP
5.0	ABFQ-0502-CMP	ABFQ-0503-CMP	ABFQ-0504-CMP

Fingertip Wedges

Wedge Style	Element Dia.	Effective angle in steel*			
		45°	60°	70°	90°
WFO	.250"	WFO-02-45	WFO-02-60	WFO-02-70	WFO-02-90
WFO	.375"	WFO-03-45	WFO-03-60	WFO-03-70	WFO-03-90
WFO	.500"	WFO-04-45	WFO-04-60	WFO-04-70	WFO-04-90

*Refracted angle as measured @ 5MHz.

- Special angles or curved wedges available upon request.
- Wedges with short exit points (WFOSE) available on request.
- High temperature wedges available upon request.



DIMENSIONS 1/4"

Angle	A	B	C
45°	.45"	.42"	.80"
60°	.45"	.47"	.90"
70°	.45"	.48"	1.00"
90°	.45"	.50"	.95"

DIMENSIONS 3/8"

45°	.60"	.51"	.97"
60°	.60"	.57"	1.14"
70°	.60"	.60"	1.25"
90°	.60"	.70"	1.15"

DIMENSIONS 1/2"

45°	.75"	.58"	1.15"
60°	.75"	.68"	1.35"
70°	.75"	.71"	1.45"
90°	.75"	.75"	1.39"

