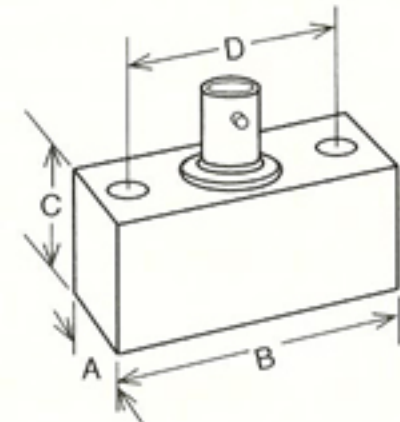




Standard Angle Beam Transducers and Wedges

Technisonic Research offers a complete line of **Angle Beam Transducers (ABS)** compatible with all commercially available flaw detectors. These are longitudinal wave transducers which can generate shear waves when coupled to a Technisonic wedge. They are primarily used for weld inspection or flaw detection of defects with favorable orientation. Technisonic's angle beam transducers are constructed within stainless steel housings for durability and rugged dependability. An acoustically matched epoxy lens insures optimum performance and color coded labels make them easy to identify. These transducers, when coupled to Technisonic wedges, provide excellent gain and signal/noise ratios. Supplied with a BNC connector, other connectors are available on special order. Technisonic also manufactures a line of **AWS Structural Welding Code Transducers** which meet or exceed all the requirements of D1.1 when used with Technisonic AWS Wedges.



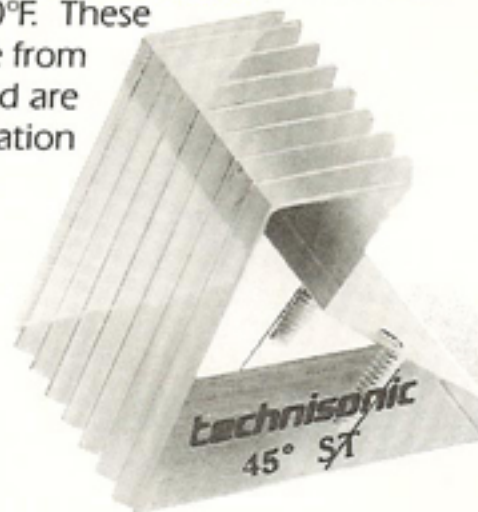
Frequency (MHz)	Element Size			
	.50" Dia.	.50" x 1.0"	.75" x 1.0"	1.0" Dia.
General Purpose Series (GP)				
0.5				ABS-0008-GP
1.0	ABS-0104-GP	ABS-010408-GP	ABS-010608-GP	ABS-0108-GP
2.25	ABS-0204-GP	ABS-020408-GP	ABS-020608-GP	ABS-0208-GP
3.5	ABS-0304-GP	ABS-030408-GP	ABS-030608-GP	ABS-0308-GP
5.0	ABS-0504-GP	ABS-050408-GP	ABS-050608-GP	ABS-0508-GP

Transducers for AWS Structural Welding Code D1.1			
	.625" x .625"	.625" x .750"	.750" x .750"
2.25	ABS-020505-AWS	ABS-020506-AWS	ABS-020606-AWS

DIMENSIONS

	.50" Dia.	.50" x 1.0"	1.0" Dia.	.75" x 1.0"	AWS
A	.75"	.75"	1.25"	1.00"	.87"
B	1.00"	1.62"	1.65"	1.56"	1.25"
C	.70"	.70"	.73"	.73"	.75"
D	.81"	1.31"	1.38"	1.31"	1.00"

Technisonic Research offers standard replacement wedges in three basic styles. Style **WSR (Serrated Wedge)** is used for standard angle beam transducers and offers excellent signal/noise ratios. Style **AWS Wedges** are "Snail" Wedges specifically designed for our AWS transducers and display optimum signal/noise ratios. Finally, our style **WHT (High Temperature Wedge)** is best suited for elevated temperatures up to 550°F. These high temperature wedges are made from a material we call "Technitherm" and are designed to reduce drift and attenuation as compared to other materials. Intermittent use at elevated temperatures is recommended to avoid transducer overheating.



Transducer Size	Effective Angle (Steel)			
	45°	60°	70°	90°
Serrated Wedge 200°F				
.5" Dia.	WSR-04-45	WSR-04-60	WSR-04-70	WSR-04-90
.5" x 1.0"	WSR-0408-45	WSR-0408-60	WSR-0408-70	WSR-0408-90
.75" x 1"	WSR-0608-45	WSR-0608-60	WSR-0608-70	WSR-0608-90
1.0" Dia.	WSR-08-45	WSR-08-60	WSR-08-70	WSR-08-90
High Temperature Wedge - WHT 550°F				
.5" Dia.	WHT-04-45	WHT-04-60	WHT-04-70	—
.5" x 1.0"	WHT-0408-45	WHT-0408-60	WHT-0408-70	—
.75" x 1"	WHT-0608-45	WHT-0608-60	WHT-0608-70	—
1.0" Dia.	WHT-08-45	WHT-08-60	WHT-08-70	—
Wedges for AWS Welding Code D1.1 200°F				
.625" x .625"	WSN-AWS-45	WSN-AWS-60	WSN-AWS-70	—
.625" x .750"	WSN-AWS-45	WSN-AWS-60	WSN-AWS-70	—
.750" x .750"	WSN-AWS-45	WSN-AWS-60	WSN-AWS-70	—

- Screw holes have a 6-32 thread, 4-40 is available.
- Special angles and curvatures are available on special order.
- Wedges designed for temperatures above 550°F are also available.
- Cooling cycle: Allow transducer to cool to ambient temperature after 30 seconds @ 400°F.